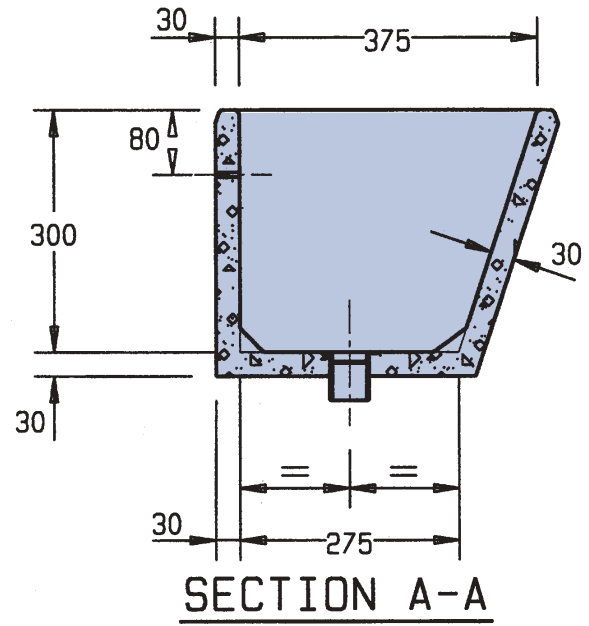
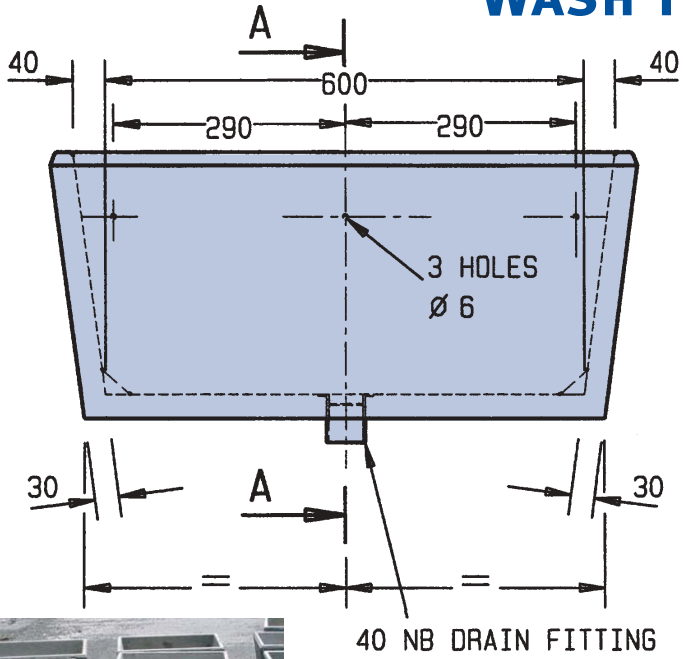
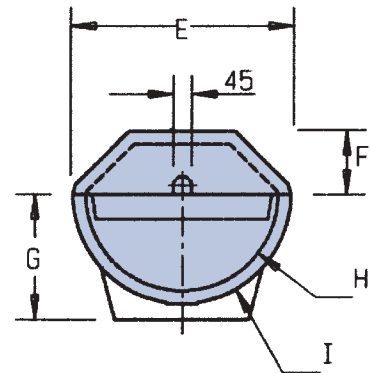
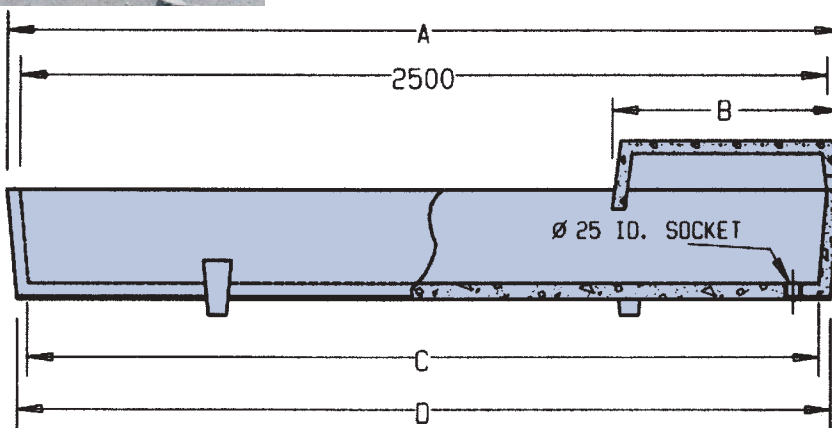


WASH TROUGH



STOCK TROUGH



Type 1 : 300mm diameter		Type 2 : 450mm diameter		Type 3 : 600mm diameter	
A	: 2570mm	A	: 2580mm	A	: 2580mm
B	: 640mm	B	: 710mm	B	: 710mm
C	: 2444mm	C	: 2420mm	C	: 2452mm
D	: 2500mm	D	: 2486mm	D	: 2520mm
E	: 362mm	E	: 533mm	E	: 680mm
F	: 155mm	F	: 155mm	F	: 175mm
G	: 235mm	G	: 315mm	G	: 390mm
H	: R150mm	H	: R225mm	H	: R300mm
I	: R185mm	I	: R265mm	I	: R340mm
mass	: 144kg	J	: 246kg	J	: 331kg

Please note: Mass per metre is an approximation only. Rocla cannot guarantee the exact mass as listed on this table.

