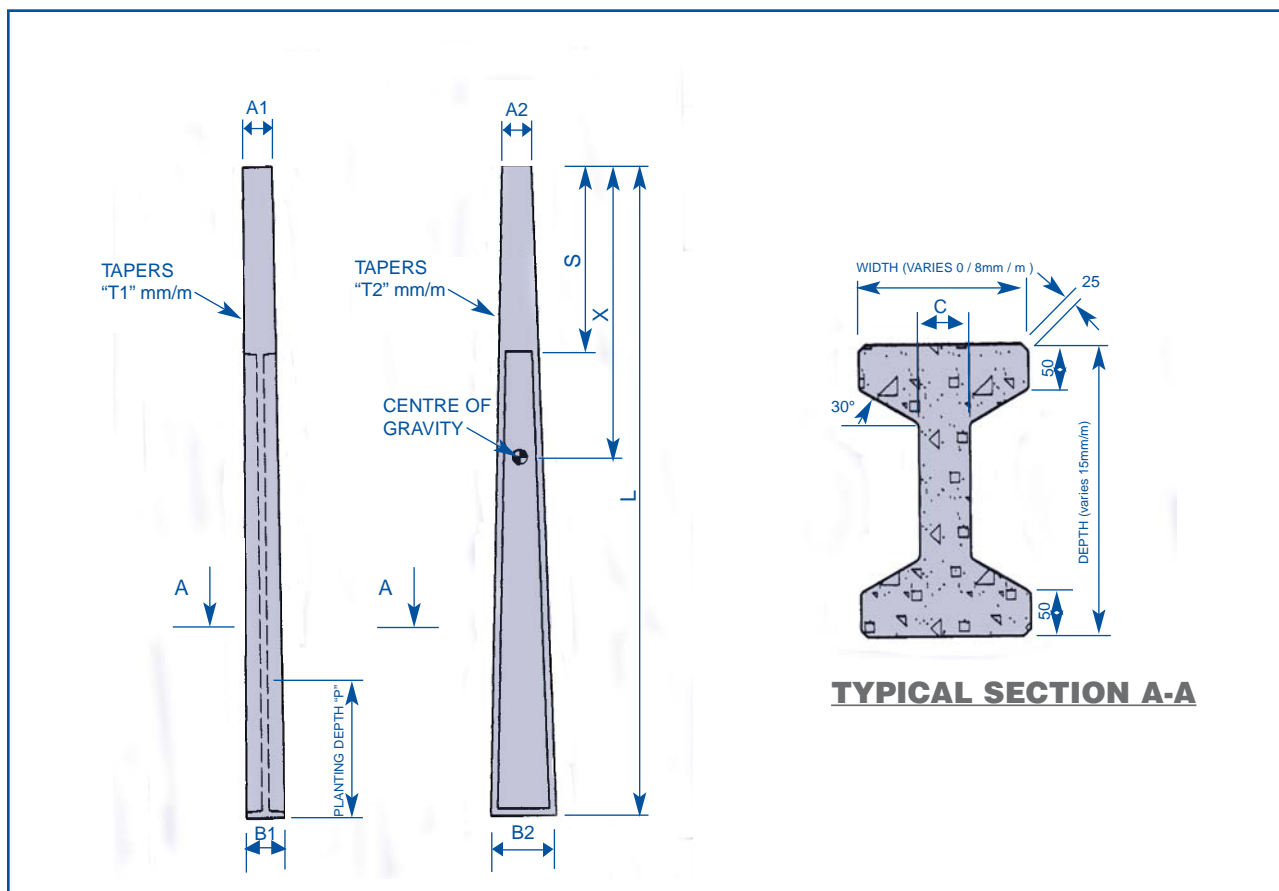


# Rocla Concrete Poles



L	A1	A2	B1	B2	S	T1	T2	P	C	X	Approximate Mass (Kg)	kN
7000	100,0	120,0	100,0	225,0	2000	0	15	1300	55	3790	282	4
9000	100,0	160,0	154,0	295,0	2500	5	15	1500	60	5140	551	6
11000	130,0	180,0	196,0	345,0	1500	6	15	1700	60	6344	879	8
13000	160,0	250,0	238,0	445,0	1500	6	15	1900	60	7303	1444	10

# ROCLA

PO Box 92  
 Roodepoort 1725  
 South Africa  
 Tel: +27 11 670 7600  
 Fax: +27 11 472 2141  
 E-mail: info@rocla.co.za  
 Web: www.rocla.co.za



A Murray & Roberts Company